

PILLOW BLOCK BEARINGS

WWW.JFKBEARINGS.COM





UC SERIES

These bearings are a combination of radial ball bearing, seal and housing of high grade cast iron which come in various shapes. The OD of the bearing and the internal surface of housing are spherical, because of this the unit is self aligning. The internal construction of ball bearing for the unit is such that 62XX an 63XX series of deep groove ball bearing steel ball and retainers are used and capable of accommodating axial load as well as radial load or composite load.

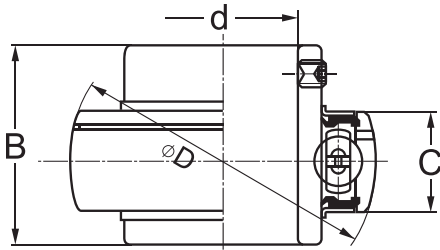
The radial load carrying capacity of this bearing is higher than that of the corresponding self aligning ball bearing used for standard plummer blocks. Any misalignment of axis that varies from poor workmanship on the shaft or error in sitting will be properly adjusted. Depending on the type, the following methods of fitting to the shaft are employed.

- (A) The inner ring is fastened onto the shaft in two places by set screws.
- (B) The inner ring has tapered bore and is fitted to the shaft by means of an adapter.
- (C) In the eccentric locking collar system the inner ring is fastened to the shaft by means of eccentric grooves provided at the side of the inner ring and on the collar.

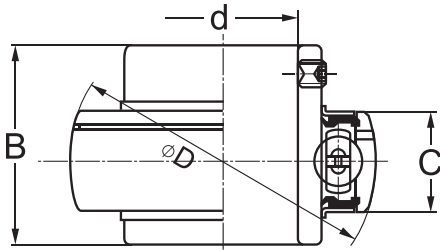
JFK maintenance true bearing unit contain high grade lithium based grease, which improves use over a long period and is ideally suited to sealed type bearings. Sealed bearings prevent any water damage and leakage from atmospheric conditions.

Set screws:

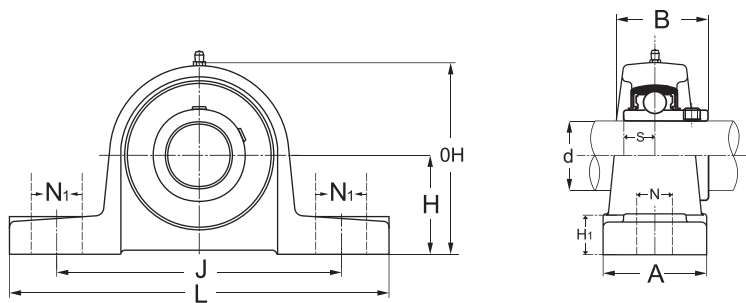
- UCP2
- UCFC2
- UCFC2



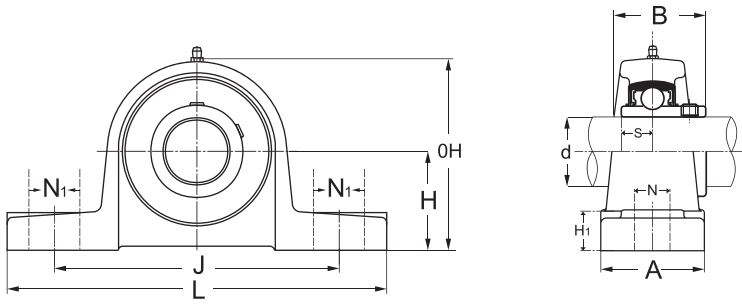
Bearing No.	Dimensions in mm				Basic Load Ratings		Wt. (Kg)
	d	D	B	C	Dynamic N	Static	
UC201	12.000	47.000	31.000	17.000	9880	6200	0.200
UC202	15.000	47.000	31.000	17.000	9880	6200	0.190
UC203	17.000	47.000	31.000	17.000	9880	6200	0.180
UC204	20.000	47.000	31.000	17.000	9880	6200	0.160
UC205	25.000	52.000	34.100	17.000	10780	6980	0.200
UC206	30.000	62.000	38.100	19.000	14970	10040	0.320
UC207	35.000	72.000	42.900	20.000	19750	13670	0.480
UC208	40.000	80.000	49.200	21.000	22710	15940	0.640
UC209	45.000	85.000	49.200	22.000	24360	17710	0.680
UC210	50.000	90.000	51.600	24.000	226980	19840	0.800
UC211	55.000	100.000	55.600	25.000	33370	25110	1.110
UC212	60.000	110.000	65.100	27.000	36740	27970	1.540
UC213	65.000	120.000	65.100	28.000	44010	34180	1.850
UC214	70.000	125.000	74.600	29.000	46790	37590	2.050
UC215	75.000	130.000	77.800	30.000	50850	41260	2.210
UC216	80.000	140.000	82.600	32.000	55040	45090	2.800
UC217	85.000	150.000	85.700	34.000	64010	53280	3.460
UC218	90.000	160.000	96.000	36.000	73830	60760	4.360



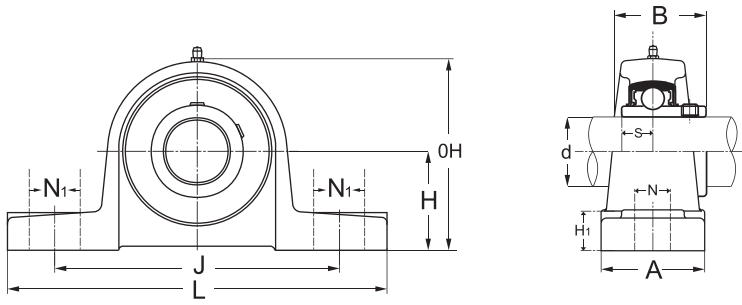
Bearing No.	Dimensions in mm				Basic Load Ratings		Wt. (Kg)
	d	D	B	C	Dynamic N	Static	
UC305	25.000	62.000	38.000	20.000	17220	11930	0.350
UC306	30.000	72.000	43.000	23.000	20770	14170	0.560
UC307	35.000	80.000	48.000	25.000	25660	17920	0.710
UC308	40.000	90.000	52.000	27.000	31350	22380	0.960
UC309	45.000	100.000	57.000	30.000	40660	30000	1.280
UC310	50.000	110.000	61.000	32.000	47580	35710	1.650
UC311	55.000	120.000	66.000	34.000	55050	41910	2.070
UC312	60.000	130.000	71.000	36.000	62880	48600	2.600
UC313	65.000	140.000	75.000	38.000	72210	56680	3.250
UC314	70.000	150.000	78.000	40.000	80100	63480	3.890
UC315	75.000	160.000	82.000	42.000	87250	71670	4.720
UC316	80.000	170.000	86.000	44.000	94570	80350	5.550
UC317	85.000	180.000	96.000	46.000	102050	89520	6.670
UC318	90.000	190.000	96.000	48.000	110810	100760	7.560
UC319	95.000	200.000	103.000	50.000	120510	103750	8.700



Unit No.	Shaft Diameter d		Dimension										Bolt Size	Wt. (Kg)
	(in)	(mm)	H	L	J	A	N	N ₁	H ₁	H ₀	B	S		
UCP201 UCP201-8	1/2	12	30.2	127	95	38	13	19	14	60.7	31	12.7	M10	0.76
UCP202-9 UCP202 UCP202-10	5/8	15	30.2	127	95	38	13	19	14	60.7	31	12.7	M10	0.74
UCP203 UCP203-11	11/16	17	30.2	127	95	38	13	19	14	60.7	31	12.7	M10	0.72
UCP204-12 UCP204	20	33.3	127	95	38	13	19	14	60	31	12.7	M10	0.70	
UCP205-14 UCP205-15 UCP205 UCP205-16	1	25	36.5	140	105	38	13	19	14	69.5	34.1	14.3	M10	0.70
UCP206-17 UCP206-18 UCP206 UCP206-19 UCP206-20	1-1/4	30	42.0	160	121	44	17	21	16	82	38.1	15.9	M14	1.25
UCP207-20 UCP207-21 UCP207-22 UCP207 UCP207-23	1-7/16	35	47.6	167	127	48	17	21	17	92	42.9	17.5	M14	1.55
UCP208-24 UCP208-25 UCP208	1-9/16	40	49.2	180	137	52	17	21	18	98	42.9	19	M14	1.90
UCP209-26 UCP209-27 UCP209-28 UCP209	1-3/4	45	54	180	146	54	17	21	20	106	42.9	19	M14	2.20

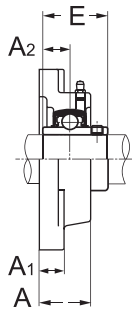
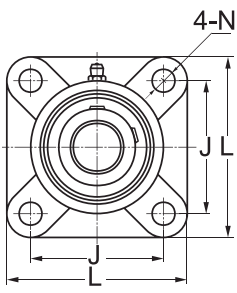


Unit No.	Shaft Dia. d		Dimension										Bolt Size (mm)	Wt. (Kg)
	(in)	(mm)	H	L	J	A	N	N ₁	H ₁	H ₀	B	S		
UCP210-30	1-7/8		57.2	204	159	57	19	22	21	112	51.6	19	M16	2.75
UCP210-31	1-15/16													
UCP210		50												
UCP210-32	2													
UCP211-32	2		63.5	217	172	60	19	22	22	125	55.6	22.2	M16	3.30
UCP211-34	2-1/8													
UCP211		55												
UCP211-35	2-3/16													
UCP212-36	2-1/4		69.9	236	186	68	19	25	24	137	65.1	25.4	M16	4.70
UCP212		60												
UCP212-38	2-3/8													
UCP212-39	2-7/16													
UCP213-40	2-1/2		76.2	262	201	70	25	29	26	149	65.1	25.4	M20	5.60
UCP213		65												
UCP214-44	2-3/4		79.4	266	210	72	25	29	27	155	74.6	30.2	M20	6.60
UCP214		70												
UCP215-47	2-15/16		82.6	274	217	74	25	30	28	162	77.8	33.3	M20	7.30
UCP215		75												
UCP215-48	3													
UCP216		80	88.9	292	232	78	25	30	30	174	82.6	33.3	M20	9.00
UCP217-52	2-1/4		95.2	310	247	83	25	30	32	186	85.7	34.1	M20	10.80
UCP217		85												
UCP218-56	3-1/2		101.6	326	262	88	27	33	33	198	96	39.7	M22	13.00
UCP218		90												
UCP220		100	115	380	305	95	30	36	40	225	108	42	M24	16.00

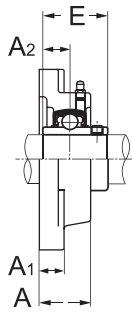
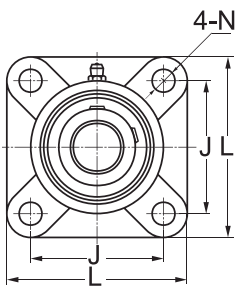


NOTE: ALL INCH SIZES AVAILABLE.

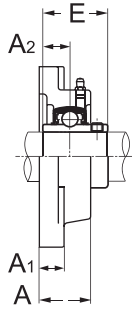
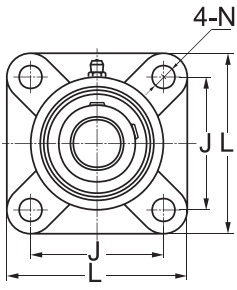
Bearing No.	Shaft Dia. d (mm)	Dimension										Bolt Size (mm)	Wt. (Kg)
		H	L	J	A	N	N1	H1	H0	B	S		
UCP305	25	45	175	132	45	17	20	15	85	38	15	M14	140
UCP306	30	50	180	140	50	17	20	15	95	43	17	M14	1.80
UCP307	35	56	210	160	56	17	25	20	106	48	19	M14	2.80
UCP308	40	60	220	170	60	17	27	22	116	52	19	M14	3.08
UCP309	45	67	245	1980	67	20	30	24	1298	57	22	M16	4.10
UCP310	50	75	275	212	75	20	35	27	143	61	22	M16	6.00
UCP311	55	80	310	236	80	20	38	30	154	66	25	M16	7.40
UCP312	60	85	330	250	85	25	38	32	165	71	26	M20	9.40
UCP313	65	90	340	260	90	25	38	33	176	75	30	M20	10.00
UCP314	70	95	360	280	90	27	40	35	187	78	33	M22	12.00
UCP315	75	100	380	290	100	27	40	35	198	82	32	M22	14.00
UCP316	80	106	400	300	110	27	40	40	210	86	34	M22	18.00
UCP317	85	112	420	320	110	33	45	40	220	96	40	M27	20.00
UCP318	90	118	430	330	110	33	45	45	235	96	40	M27	24.00
UCP319	95	125	470	360	120	36	50	45	250	103	41	M30	26.50
UCP320	100	140	490	380	120	36	50	50	275	108	42	M30	34.30
UCP321	105	140	490	380	120	36	50	50	280	112	44	M30	36.60
UCP322	110	150	520	400	140	40	55	55	300	117	46	M33	42.50
UCP324	120	160	570	450	140	40	55	65	320	126	51	M33	53.50
UCP326	130	180	600	480	140	40	55	75	355	135	54	M33	72.10
UCP328	140	200	620	500	140	40	55	75	390	145	59	M33	89.10



Unit No.	Shaft Diameter d		Dimension								Bolt Size	Wt. (Kg)
	(in)	(mm)	L	J	A ₂	A ₁	A	N	E	S		
UCF201 UCF201-8	1/2	12	86	64	15	12	25.5	12	31	12.7	M10	0.61
UCF202-9 UCF202 UCF202-10	9/16 5/8	15	86	64	15	12	25.5	12	31	12.7	M10	0.61
UCF203 UCF20-11	11/16	17	86	64	158	12	25.5	12	31	12.7	M10	0.61
UCF204-12 UCF204	3/4	20	86	64	15	12	5.5	12	31	12.7	M10	0.61
UCF205-14 UCF205-15 UCF205 UCF205-16	7/8 15/16 1	25	95	70	16	13	27	12	34.1	14.3	M10	0.80
UCF206-17 UCF206-18 UCF206 UCF206-19 UCF206-20	1-11/16 1-1/8	30	108	83	18	13	31	12	38.1	15.9	M10	1.00
UCF207-20 UCF207-21 UCF207-22 UCF207 UCF207-23	1-1/4 1-5/16 1-3/8	35	117	92	19	15	34	14	42.9	17.5	M12	1.40
UCF208-24 UCF208-25 UCF208	1-1/2 1-9/16	40	130	102	21	15	36	16	49.2	19	M14	1.80
UCF209-26 UCF209-27 UCF209-28 UCF209	1-5/8 1-11/16 1-3/4	45	137	105	22	16	38	16	49.2	19	M14	2.20

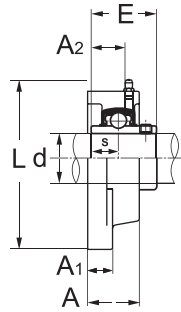
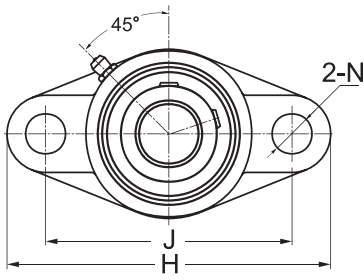


Unit No.	Shaft Diameter d		Dimension								Bolt Size	Wt. (Kg)
	(in)	(mm)	L	J	A ₂	A ₁	A	N	E	S		
UCF210-30	1-7/8		143	111	22	16	40	16	51.6	19	M14	2.40
UCF210-31	1-15/16											
UCF210		50										
UCF210-32	2											
UCF211-32	2		162	130	25	18	43	18	55.6	22.2	M16	3.80
UCF211-34	2-1/8											
UCF211		55										
UCF211-35	2-3/16											
UCF212-36	2-1/4		175	143	29	18	48	19	65.1	25.4	M16	4.20
UCF212		60										
UCF212-38	2-3/8											
UCF212-39	2-7/16											
UCF213-40	2-1/2		187	149	30	22	58.0	19	65.1	25.4	M16	5.30
UCF213		65										
UCF214-44	2-3/4		193	152	31	22	54	19	74.6	30.2	M16	5.90
UCF214		70										
UCF215-47	2-15/16		200	159	34	22	56	19	77.8	33.3	M16	6.30
UCF215		75										
UCF215-48	3											
UCF216		80	20	165	34	22	58	23	82.6	33.3	M20	7.30
UCF217-52	3-1/4											
UCF217		85	220	175	36	24	63	23	85.7	34.1	M20	8.90
UCF218-56	3-1/2		235	187	40	25	68	23	96	39.7	M20	11.60
UCF218		90										

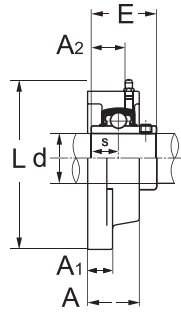
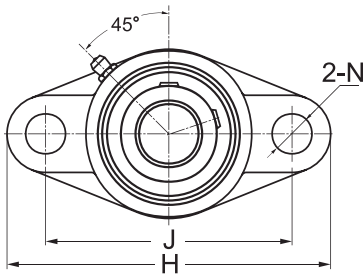


NOTE: ALL INCH SIZES AVAILABLE.

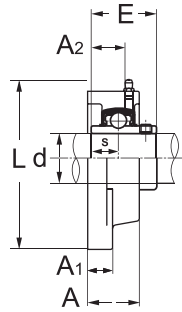
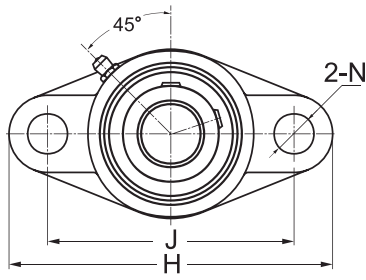
Bearing No.	Shaft Dia. d (mm)	Dimension								Bolt Size (mm)	Wt. (Kg)
		L	J	A ₂	A ₁	A	N	E	S		
UCF305	25	108	80	16	13	29	16	38	15	M14	1.20
UCF306	30	125	95	18	15	32	16	43	17	M14	1.80
UCF307	35	132	100	20	16	36	19	48	19	M16	2.20
UCF308	40	150	112	23	17	40	19	52	19	M16	2.90
UCF309	45	160	125	25	18	44	19	57	22	M16	3.50
UCF310	50	175	132	28	20	48	23	61	22	M20	4.80
UCF311	55	185	140	30	20	52	23	66	25	M20	5.60
UCF312	60	193	150	33	22	56	23	71	26	M20	6.70
UCF313	65	208	166	33	22	58	23	75	30	M20	7.80
UCF314	70	226	178	25	25	61	25	78	33	M22	10.10
UCF315	75	236	184	39	25	66	25	82	32	M22	11.10
UCF316	80	250	196	38	27	68	31	86	34	M27	12.80
UCF317	85	260	204	44	27	74	31	96	40	M27	15.40
UCF318	90	280	216	44	27	74	31	96	40	M30	19.00
UCF319	95	290	228	59	30	94	35	103	41	M30	20.6
UCF320	100	310	242	59	32	94	38	108	42	M33	25.7
UCF321	105	310	242	59	32	94	38	112	44	M33	25.50
UCF322	110	340	266	6	35	96	41	117	46	M36	38
UCF324	120	370	290	65	40	110	41	126	51	M36	50
UCF326	130	410	320	65	45	115	41	135	54	M36	66
UCF328	140	450	350	75	55	125	41	145	59	M36	90



Unit No.	Shaft Diameter d		Dimension										Bolt Size	Wt. (Kg)
	(in)	(mm)	H	J	A ₂	A ₁	A	N	L	E	S	(mm)		
UCFL201 UCFL201-8	1/2	12	113	90	15	11	25.5	12	60	31	12.7	M10	0.51	
UCFL202-9 UCFL202 UCFL202-10	5/8	15	113	90	15	11	25.5	12	60	31	12.7	M10	0.51	
UCFL203 UCFL203-11	11/16	17	113	90	15	11	25.5	12	60	31	12.7	M10	0.51	
UCFL204-12 UCFL204		20	113	90	15	11	25.5	12	60	31	12.7	M10	0.51	
UCFL205-14 UCFL205-15 UCFL205 UCFL205-16	1	25	130	99	16	13	27	16	68	34.1	14.3	M14	0.6	
UCFL206-17 UCFL206-18 UCFL206 UCFL206-19 UCFL206-20	1-1/4	30	148	117	18	13	31	16	80	38.1	15.9	M14	0.9	
UCFL207-20 UCFL207-21 UCFL207-22 UCFL207 UCFL207-23	1-7/16	35	161	130	19	14	34	16	90	42.9	17.5	M14	1.2	
UCFL208-24 UCFL208-25 UCFL208	1-9/16	40	175	144	21	14	36			42.9	18	M14	1.5	
UCFL209-26 UCFL209-27 UCFL209-28 UCFL209	1-3/4	45	188	148	22	15	38	19	108	42.9	19	M16	1.9	

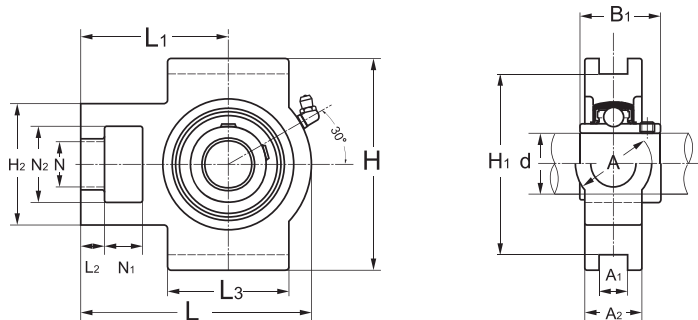


Unit No.	Shaft Diameter d		Dimension									Bolt Size	Wt. (Kg)
	(in)	(mm)	H	J	A ₂	A ₁	A	N	L	E	S		
UCFL210-30	1-7/8		197	157	22	16	40	19	115	51.6	19	M16	2.2
UCFL210-31	1-15/16												
UCFL210		50											
UCFL210-32	2												
UCFL211-32	2		224	184	25	18	43	19	130	55.6	22.2	M16	3.0
UCFL211-34	2-1/8												
UCFL211		55											
UCFL211-35	2-3/16												
UCFL212-36	2-1/4		250	202	29	18	48	23	140	65.1	25.4	M20	4.0
UCFL212		60											
UCFL212-38	2-3/8												
UCFL212-39	2-7/16												
UCFL213-40	2-1/2		258	210	30	20	50	23	155	65.1	25.4	M20	5.0
UCFL213		65											
UCFL214-44	2-3/4		265	216	31	20	54	23	169	74.6	30.2	M20	5.6
UCFL214		70											
UCFL215-47	2-15/16		275	225	34	22	55	23	164	77.8	33.3	M20	6.2
UCFL215		75											
UCFL215-48	3												
UCFL216		80	290	233	34	22	58	25	180	82.8	33.3	M22	7.3
UCFL217-52	3-1/4		305	248	36	22	63	25	190	85.7	34.1	M22	9.8
UCFL217		85											
UCFL218-56	3-1/2		320	265	40	23	68	25	205	96	39.7	M22	12.4
UCFL218		90											

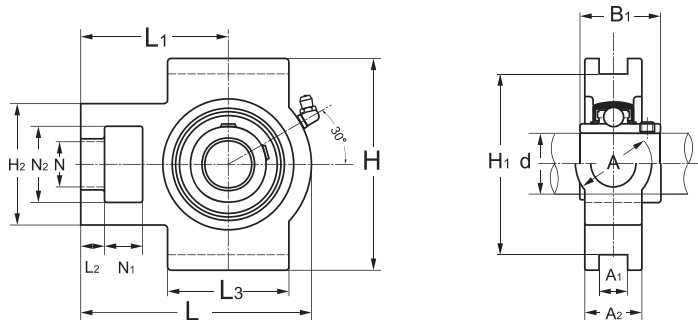


NOTE: ALL INCH SIZES AVAILABLE.

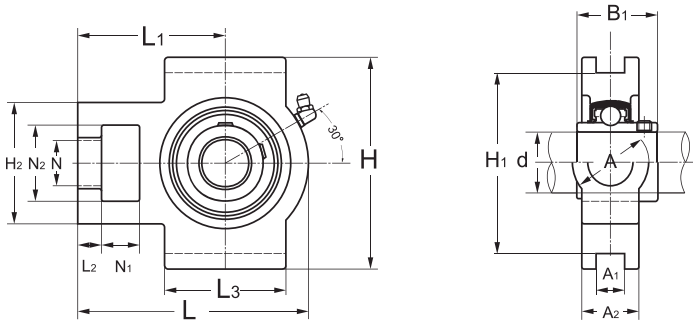
Bearing No.	Shaft Dia. d (mm)	Dimension										Bolt Size (mm)	Wt. (Kg)
		H	J	A ₂	A ₁	A	N	L	E	S			
UCFL305	25	150	113	16	13	29	19	80	38	15	M16	1.10	
UCFL306	30	180	134	18	15	32	23	90	43	17	M20	1.60	
UCFL307	35	185	141	20	16	36	23	100	48	19	M20	2.00	
UCFL308	40	200	158	23	17	40	23	112	52	19	M20	2.60	
UCFL309	45	230	177	25	18	44	25	125	157	22	M22	3.63	
UCFL310	50	240	187	28	19	48	25	140	61	22	M22	4.60	
UCFL311	55	250	198	30	20	52	25	150	86	25	M22	5.30	
UCFL312	60	270	212	33	22	56	31	160	71	26	M27	6.40	
UCFL313	65	295	240	33	2	58	31	175	75	30	M27	8.20	
UCFL314	70	315	250	36	25	61	35	185	78	33	M30	10.00	
UCFL315	75	320	260	39	25	66	35	195	82	32	M30	11.00	
UCFL316	80	355	285	38	27	68	38	210	86	34	M33	14.30	
UCFL317	85	370	300	44	27	74	38	220	96	40	M33	16.20	
UCFL318	90	385	315	44	27	76	38	235	96	40	M33	19.20	
UCFL319	95	405	330	59	30	94	41	250	103	41	M36	21.60	
UCFL320	100	440	360	59	32	94	44	270	108	42	M39	26.50	
UCFL321	105	440	360	59	32	94	44	270	112	44	M39	28.20	
UCFL322	110	470	390	60	35	96	44	300	117	46	M39	33.10	
UCFL324	120	520	430	65	48	110	47	330	128	51	M42	45.70	
UCFL326	130	550	460	65	50	115	47	360	135	54	M42	57.50	
UCFL328	140	600	500	75	60	125	51	400	145	59	M45	79.70	



Unit No.	Shaft Diameter d		Dimension															Wt. (Kg)
	(in)	(mm)	N2	L2	H2	N2	N	L3	A1	H1	H	L	A	A2	L1	B	S	
UCT201 UCT201-8	1/2	12	16	10	51	32	19	51	12	76	89	94	32	21	61	31	12.7	0.80
UCT202-9 UCT202 UCT202-10	5/8	15	16	10	51	32	19	51	12	76	89	94	32	21	61	31	12.7	0.79
UCT203 UCT203-11	11/16	17	16	10	51	32	19	51	12	76	89	94	32	21	61	31	12.7	0.78
UCT204-12 UCT204	20	20	16	10	51	32	19	51	12	76	89	94	32	21	61	31	12.7	0.72
UCT205-14 UCT205-15 UCT205 UCT205-16	1	25	46	10	51	32	19	51	12	76	89	97	32	24	62	34.1	14.3	0.8
UCT206-17 UCT206-18 UCT206 UCT206-19 UCT206-20	1-1/4	30	16	10	56	37	22	57	12	89	102	113	37	28	70	38.1	15.9	1.26
UCT207-20 UCT207-21 UCT207-22 UCT207 UCT207-23	1-3/8	35	16	13	64	37	22	64	12	89	102	129	37	30	78	42.9	17.5	1.68
UCT208-24 UCT208-25 UCT208	1-9/16	40	19	16	83	49	29	83	16	102	114	144	49	33	88	49.2	19	2.28
UCT209-26 UCT209-27 UCT209-28 UCT209	1-3/4	45	19	16	83	49	29	83	16	102	117	144	49	35	87	49.2	19	2.52

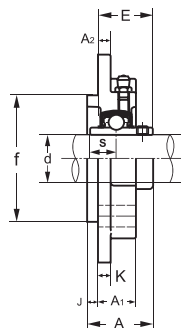
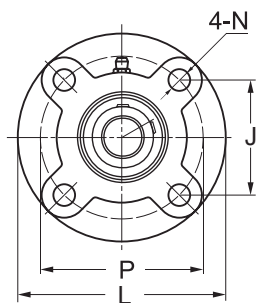


Unit No.	Shaft Diameter d		Dimension														Wt. (Kg)	
	(in)	(mm)	N ₁	L ₂	H ₂	N ₂	N	L ₃	A ₁	H ₁	H	L	A	A ₂	L ₁	B		S
UCT2010-30	1-7/8		19	16	83	49	29	86	16	102	117	149	49	37	90	51.6	19	2.75
UCT2010-31	1-5/16																	
UCT2010		50																
UCT2010-32	2																	
UCT2011-32	2		25	19	102	64	35	95	22	130	146	171	64	38	106	55.6	22.2	4.1
UCT2011-34	2-1/8																	
UCT2011		55																
UCT2011-35	2-3/16																	
UCT2012-36	2-1/4		32	19	102	64	35	102	22	130	146	194	64	42	119	65.1	25.4	4.9
UCT2012		60																
UCT2012-38	2-3/8																	
UCT2012-39	2-7/16																	
UCT2013-40	2-1/2		35	21	111	70	41	121	26	151	167	224	70	44	137	65.1	25.4	6.7
UCT2013		65																
UCT2014-44	2-3/4		32	21	111	70	41	121	26	151	167	232	70	48	140	74.6	30.2	6.9
UCT2014		70																
UCT2015-47	2-15/16		32	21	111	70	41	121	26	151	167	232	70	48	140	77.8	33.3	7.4
UCT2015		75																
UCT2015-48	3																	
UCT2016		80	32	21	111	70	41	121	26	165	184	235	70	51	140	82.6	33.3	8.1
UCT2017-52	3-1/4		38	29	124	73	48	157	30	173	198	260	73	54	162	85.7	34.1	11
UCT2017		85																

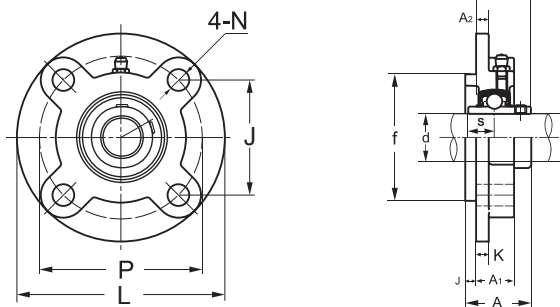


NOTE: ALL INCH SIZES AVAILABLE.

Bearing No.	Shaft Dia. d (mm)	Dimension															Weight. (Kg)
		N1	L2	H2	N2	N	L3	A1	H1	H	L	A	A2	L1	B	S	
UCT305	25	16	12	62	36	26	65	12	80	89	122	36	26	76	38	15	1.41
UCT306	30	18	14	70	41	28	74	16	90	100	137	41	28	85	43	17	1.85
UCT307	35	20	15	75	45	30	80	16	100	111	150	45	32	94	48	19	2.45
UCT308	40	22	17	83	50	32	89	18	112	124	162	50	34	100	52	19	3.09
UCT309	45	24	18	90	55	34	97	18	125	138	178	55	38	110	57	22	4.08
UCT310	50	27	20	98	61	37	106	20	140	151	191	61	40	117	61	22	5.25
UCT311	55	29	21	105	66	39	115	22	150	163	207	66	44	127	66	25	6.41
UCT312	60	41	23	113	71	41	123	22	160	178	220	71	46	135	71	26	7.61
UCT313	65	32	25	116	70	43	134	26	170	190	238	80	50	146	75	30	9.22
UCT314	70	36	25	130	85	46	149	26	180	202	252	90	52	155	78	33	11.4
UCT315	75	36	25	132	85	46	150	26	192	216	262	90	55	160	82	32	12.9
UCT316	80	42	28	150	98	53	160	30	204	230	280	102	60	174	86	34	15.65
UCT317	85	42	30	152	98	53	170	32	214	240	298	102	64	183	96	40	19.34
UCT318	90	46	30	160	106	57	175	32	228	255	312	110	66	192	96	40	21.25
UCT319	95	46	32	165	106	57	180	35	240	270	322	110	72	197	103	41	24.4
UCT320	100	48	32	175	115	59	200	35	260	290	345	120	75	210	108	42	30.6
UCT321	105	48	32	175	115	59	200	35	260	290	345	120	75	210	112	44	30.2
UCT322	110	52	38	185	125	65	215	38	285	320	385	130	80	235	117	45	38.8
UCT324	120	60	42	210	140	70	230	45	320	355	432	140	90	267	126	51	54.6
UCT326	130	65	45	220	150	75	240	510	350	385	465	150	100	285	135	54	68.4
UCT328	140	70	50	230	160	80	255	50	280	415	515	155	100	315	145	59	83.2



Unit No.	Shaft Diameter d		Dimension												Bolt Size	Wt. (Kg)
	(in)	(mm)	L	P	J	A ₂	N	j	K	A ₁	f	A	E	S		
UCFC201 UCFC201-8	1/2	12	90	70	49.5	10	10	4	5	19	55	28.3	27.4	11.5	8	0.54
UCFC202-9 UCFC202 UCFC202-10	5/8	15	90	70	49.5	10	10	4	5	19	55	28.3	27.4	11.5	8	0.60
UCFC203 UCFC203-11	11/16	17	90	70	49.5	10	10	4	5	19	55	28.3	27.4	11.5	8	0.58
UCFC204-12 UCFC204		20	100	78	55.1	10	12	5	7	20.5	62	28.3	31	12.7	10	0.75
UCFC205-14 UCFC205-15 UCFC205 UCFC205-16	1	25	115	90	63.6	10	12	6	7	21	70	29.7	34.1	14.3	10	1.00
UCFC206-17 UCFC206-18 UCFC206 UCFC206-19 UCFC206-20	1-1/4	30	125	100	70.7	10	12	8	8	23	80	32.2	38.1	15.9	10	1.30
UCFC207-20 UCFC07-21 UCFC207-22 UCFC207 UCFC207-23	1-3/8	35	135	110	77.8	11	14	8	9	26	90	36.4	42.9	17.5	12	1.75
UCFC208-24 UCFC208-25 UCFC208	1-9/16	40	145	120	84.8	11	14	10	9	26	100	41.2	49.2	19	12	2.00
UCFC209-26 UCFC209-27 UCFC209-28 UCFC209	1-3/4	45	160	132	93.3	10	16	12	10	26	105	40.2	49.2	19	14	2.50



Unit No.	Shaft Diameter d		Dimension													Bolt Size	Wt. (Kg)
	(in)	(mm)	L	P	J	A ₂	N	j	K	A ₁	f	A	E	S	(mm)		
UCFC210-30	1-7/8		165	138	97.6	10	16	12	14	28	110	42.6	51.6	19	14	2.95	
UCFC210-31	1-15/16																
UCFC210		50															
UCFC210-32	2																
UCFC211-32	2		185	150	106.1	13	19	12	13	30	125	46.4	55.6	22.2	16	4.00	
UCFC211-34	2-1/8																
UCFC211		55															
UCFC211-35	2-3/16																
UCFC212-36	2-1/4		195	160	113.1	17	19	12	15	35	135.8	56.7	65.1	25.4	16	4.90	
UCFC212		60															
UCFC212-38	2-3/8																
UCFC212-39	2-7/16																
UCFC213-40	2-1/2		205	170	120.2	16	19	14	15	36	145	56.7	65.1	25.4	16	5.35	
UCFC213		65															
UCFC214-44	2-3/4		215	177	125.1	17	19	14	16	38	150	61.4	74.6	30.2	16	6.90	
UCFC214		70															
UCFC215-47	2-15/16		220	184	130.1	18	19	16	17	39	160	62.5	77.8	33.3	16	7.50	
UCFC215		75															
UCFC215-48	3																
UCFC216		80	240	200	141.1	18	23	16	18	42	170	67.3	82.6	33.3	20	8.70	
UCFC217-52	3-1/4		250	208	147.1	18	23	18	20	45	180	69.6	85.7	34.1	20	10.30	
UCFC217		85															
UCFC218-56	3-1/2		265	252.0	155.5	22	23	18	20	50	190	78.3	96.0	39.7	20	13.50	
UCFC218		90															