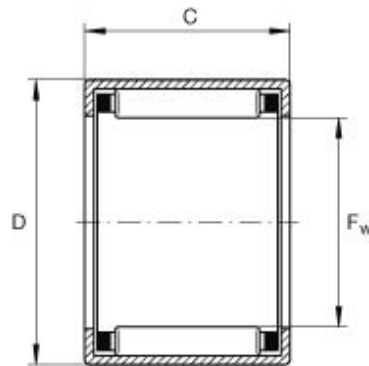


## Shell Type

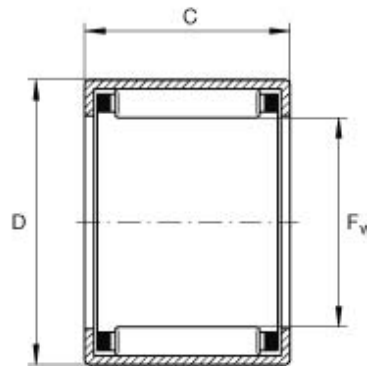
### TYPE SCE



Inner bore F <sub>w</sub>	Principal dimensions		Basic load ratings				Max runout speed		Weight kg.	Bearing number	
	D	C	dynamic	static	dynamic	static	grease	oil			
mm	mm	mm	C	N	Co	C	kgf	Co	r/min	kg.	
6.35	11.112	6.35	360	260	1600	1170	26000	35000	0.005	SCE 44	
6.35	11.112	7.938	560	470	2500	2090	25000	35000	0.005	SCE 45	
6.35	11.112	11.112	920	870	4100	3900	24300	35000	0.009	SCE 47	
7.938	12.7	7.938	650	590	2900	2600	21000	29000	0.008	SCE 55	
7.938	12.7	9.52	650	590	2900	2600	21000	29000	0.007	SCE 56	
7.938	12.7	11.112	1060	1090	4700	4850	20300	29000	0.013	SCE 57	
9.525	14.288	7.938	650	610	2900	2700	18400	25000	0.007	SCE 65	
9.525	14.288	9.525	870	890	3900	3950	17900	25000	0.009	SCE 66	
9.525	14.288	12.7	1300	1490	5800	6600	17400	25000	0.013	SCE 68	
9.525	14.288	15.875	1660	2040	7400	9100	17100	25000	0.015	SCE 610	
11.112	15.875	12.7	1430	1750	6400	7800	15200	21900	0.016	SCE 78	
12.7	17.462	7.938	820	890	3650	3950	14200	19500	0.009	SCE 85	
12.7	17.462	12.7	1550	2020	6900	9000	13500	19500	0.016	SCE 88	
12.7	17.462	15.875	1980	2760	8800	12300	13300	19500	0.021	SCE 810	
12.7	17.462	19.05	2230	3210	9900	14300	13400	19500	0.025	SCE 812	
14.288	19.05	11.112	2110	3150	9400	14000	12000	17600	0.016	SCE 97	
14.288	19.05	15.875	2110	3150	9400	14000	12000	17600	0.022	SCE 910	
14.288	19.05	19.05	2410	3690	10700	16400	12000	17600	0.026	SCE 912	
15.875	20.638	11.112	1480	2100	6600	9400	11200	16000	0.017	SCE 107	
15.875	20.638	12.7	1820	2700	8100	12000	11000	16000	0.02	SCE 108	
15.875	20.638	15.875	2330	3650	10400	16300	10800	16000	0.025	SCE 1010	
15.875	20.638	19.05	2720	4430	12100	19700	10800	16000	0.031	SCE 1012	
17.462	22.225	12.7	1930	2970	8600	13200	10100	14600	0.021	SCE 118	
17.462	22.225	19.05	2970	5150	13200	22900	9800	14600	0.035	SCE 1112	
19.05	25.4	15.875	2880	3940	12800	17500	9100	13100	0.04	SCE 1210	
19.05	25.4	19.05	3460	4970	15400	22100	9000	13100	0.046	SCE 1212	

## Shell Type

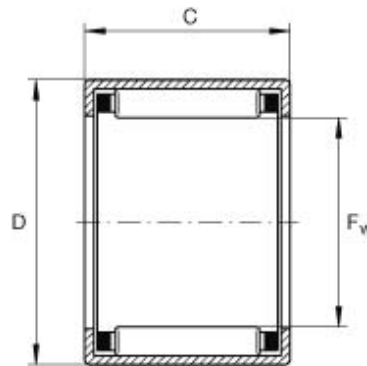
### TYPE SCE



Inner bore F <sub>w</sub>	Principal dimensions		Basic load ratings				Max runout speed		Weight kg.	Bearing number		
	D	C	dynamic	static	dynamic	static	grease	oil				
mm	mm		C	N	Co	C	kgf	Co	r/min	kg.		
19.05	25.4	25.4	3460		4970	15400		22100	9000	13100	0.06	SCE 1216
20.638	26.988	12.7	2420		3200	10800		14300	8600	12200	0.035	SCE 138
20.638	26.988	19.05	2420		3200	10800		14300	8600	12200	0.049	SCE 1312
22.225	28.575	9.525	1850		2400	8200		10700	8200	11400	0.029	SCE 146
22.225	28.575	12.7	2500		3550	11200		15800	8000	11400	0.042	SCE 148
22.225	28.575	19.05	3800		6100	16900		27000	7800	11400	0.061	SCE 1412
22.225	28.575	25.4	4970		8540	22100		38000	7800	11400	0.075	SCE 1416
25.4	31.75	12.7	2830		4300	12600		19100	7100	10100	0.042	SCE 168
25.4	31.75	19.05	4050		6750	18000		30000	7000	10100	0.06	SCE 1612
25.4	31.75	25.4	5580		10200	24800		45500	6900	10100	0.084	SCE 1616
28.575	34.925	12.7	2900		4540	12800		20200	6500	9000	0.045	SCE 188
28.575	34.925	19.05	4250		7420	18900		33000	6400	9000	0.066	SCE 1812
28.575	34.925	25.4	5730		11100	25500		49500	6300	9000	0.088	SCE 1816
30.162	38.1	15.875	3460		4970	15400		22100	5800	8200	0.075	SCE 1910
31.75	38.1	12.7	3000		4960	13400		22100	6000	8200	0.049	SCE 208
31.75	38.1	19.05	4750		8900	21100		39500	5800	8200	0.82	SCE 2012
31.75	38.1	25.4	6100		12300	27000		55000	5700	8200	0.099	SCE 2016
31.75	38.1	31.75	7500		15900	33500		71000	5700	8200	0.123	SCE 2020
33.338	41.275	12.7	3000		4960	13400		22100	6000	8200	0.061	SCE 218
33.338	41.275	15.875	4760		7530	21200		33500	5500	7700	0.082	SCE 2110
34.925	41.275	12.7	3060		5330	13600		23700	5500	7500	0.055	SCE 228
34.925	41.275	19.05	4830		9560	21500		42500	5400	7500	0.086	SCE 2212
38.1	47.625	15.875	5500		8200	24400		36500	4850	6700	0.119	SCE 2410
38.1	47.625	19.05	6860		10900	30500		48500	4750	6700	0.137	SCE 2412
38.1	47.625	22.225	8100		13500	36000		60000	4700	6700	0.159	SCE 2414
38.1	47.625	25.4	8650		14800	38500		66000	4750	6700	0.183	SCE 2416

## Shell Type

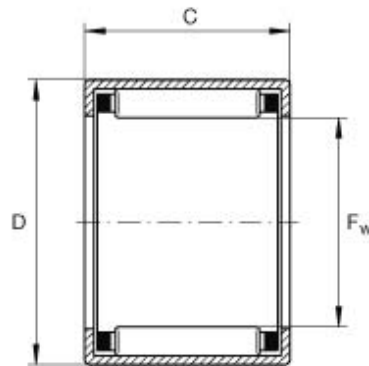
### TYPE SCE



Inner bore F <sub>w</sub>	Principal dimensions		Basic load ratings				Max runout speed		Weight kg.	Bearing number	
	D	C	dynamic	static	dynamic	static	grease	oil			
mm	mm		C	N	Co	C	kgf	Co	r/min	kg.	
38.1	47.625	31.75	10600	19300	47500	86000	4700	6700	0.232		SCE 2420
41.275	50.8	31.75	11400	21800	51000	97000	4350	6200	0.243		SCE 2620
44.45	53.975	19.05	6860	10900	30500	48500	4750	6700	0.15		SCE 2812
44.45	53.975	25.4	9200	17000	41000	76000	4200	5800	0.254		SCE 2816
44.45	53.975	38.1	14000	29000	62000	130000	4400	6300	0.359		SCE 2824
50.8	60.325	25.4	9300	17900	41500	80000	3850	5100	0.225		SCE 3216
50.8	60.325	31.75	14000	29000	62000	130000	4400	6300	0.282		SCE 3220
66.675	76.200	25.4	9300	17900	41500	80000	3850	5100	0.293		SCE 4216

## Shell Type

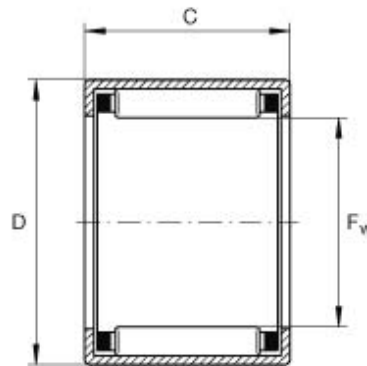
### TYPE SCH



Inner bore F <sub>w</sub>	Principal dimensions		Basic load ratings				Max runout speed		Weight kg.	Bearing number	
	D	C	dynamic	static	dynamic	static	grease	oil			
mm	mm		C	N	Co	C	kgf	Co	r/min	kg.	
11.112	17.462	12.7	1780	1840	7900	8200	20700	0.02		SCH 78	
12.7	19.05	12.7	1910	2110	8500	9400	18600	0.022		SCH 88	
12.7	19.05	19.05	2830	3530	12600	15700	18600	0.035		SCH 812	
17.462	23.812	15.875	2880	3860	12800	17200	14100	0.037		SCH 1010	
17.462	23.812	19.05	2830	3530	12600	15700	18600	0.033		SCH 1012	
17.462	23.812	19.05	3570	5100	15900	22700	14100	0.045		SCH 1112	
19.05	27.000	19.05	3460	4970	15400	22100	13100	0.061		SCH 1212	
20.638	28.575	19.05	2420	3200	10800	14300	12200	0.065		SCH 1312	
22.225	30.162	15.875	3800	6100	16900	27000	11400	0.056		SCH 1410	
22.225	30.162	19.05	4400	6070	19600	27000	11100	0.07		SCH 1412	
22.225	30.162	25.4	5730	8650	25500	38500	11100	0.094		SCH 1416	
25.4	33.338	12.7	2830	4300	12600	19100	10100	0.054		SCH 168	
25.4	33.338	19.05	4500	6400	20000	28500	9800	0.08		SCH 1612	
25.4	33.338	25.4	6500	10400	29000	46500	9800	0.105		SCH 1616	
25.4	33.338	31.75	5580	10200	24800	45500	10100	0.128		SCH 1620	
25.4	33.338	38.1	5580	10200	24800	45500	10100	0.153		SCH 1624	
28.575	38.1	19.05	5620	7870	25000	35000	8700	0.105		SCH 1812	
28.575	38.1	25.4	8100	12300	36000	55000	8700	0.138		SCH 1816	
28.575	38.1	28.575	9100	14600	40500	65000	8700	0.186		SCH 1818	
28.575	38.1	31.75	9100	14600	40500	65000	8700	0.203		SCH 1820	
31.75	41.275	19.05	5620	7870	25000	35000	8700	0.122		SCH 2012	
31.75	41.275	25.4	8100	12800	36000	57000	7900	0.175		SCH 2016	
31.75	41.275	31.75	9800	16400	43500	73000	7900	0.174		SCH 2020	
34.925	44.45	25.4	8870	14600	39000	65000	7200	0.17		SCH 2216	
34.925	44.45	31.75	9800	16400	43500	73000	7900	0.181		SCH 2220	

## Shell Type

### TYPE BCE



Inner bore F <sub>w</sub>	Principal dimensions		Basic load ratings				Max runout speed		Weight	Bearing number		
	D	C	dynamic	static	dynamic	static	grease	oil		kg.		
mm	mm		C	N	Co	C	kgf	Co	r/min	kg.		
19.05	25.4	12.7	2210	2800	9800	12500	14700	0.031			BCE 128	
20.225	28.575	25.4	4950	8500	22100	38000	11400	0.075			BCE 1416	
25.4	31.75	25.4	5600	10200	24800	45500	10100	0.084			BCE 1616	